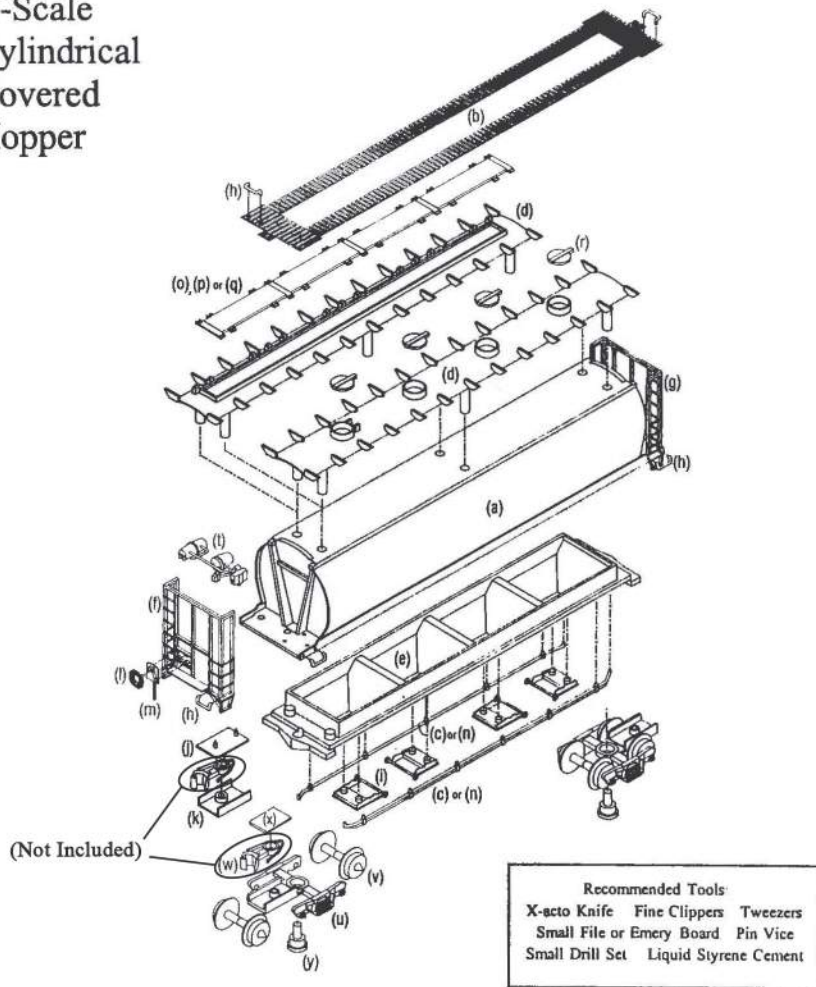


# InterMountain Railway Company

P.O. Box 839 Longmont, CO 80502 Phone: (800) 472-2530 Fax: (303) 772-8534

## N-Scale Cylindrical Covered Hopper



### Parts List:

1. Body (a)
2. Roofwalk  
1 Roofwalk (b) 2 Air Line (c)
3. Roof (d)
4. Floor Hopper Bottom (e)
5. End Framework - Brake End (f)
6. End Framework (g)
7. Grab Iron Sprue  
20 Grab Iron (h)
8. Miscellaneous Detail Sprue  
4 Discharge Gate (i) 2 Coupler Box Cover (j)  
2 Coupler Box (k) 1 Brake Wheel (l)  
1 Brake Wheel Housing (m)
9. Trough Hatch Sprue & Air Lines  
2 Air Line (n) 4 Trough Hatch (o)
10. Trough Hatch Sprue  
2 Trough Hatch (p) 2 Trough Hatch (q)
11. Round Hatch Sprue  
2 Air Line (n) 4 Round Hatch (r)
12. Brake Detail Sprue  
1 Brake Parts & Air Lines (t)
13. Truck Pack  
2 Truck (u) 4 Wheel Set (v)  
2 Coupler (w) 2 Coupler Box Cover (x)  
2 Truck Mounting Pin (y)

## N-Scale Cylindrical Covered Hopper GENERAL INSTRUCTIONS

Please read all instructions and study the drawings and parts before beginning assembly of this kit! Many of the parts are very delicate in order for your completed model to be as attractive and authentic as possible. **DO NOT ATTEMPT TO BEND, TWIST, OR BREAK PARTS FROM SPRUE.** The most effective tools to use in removing parts from their sprue are an x-acto knife, fine clippers, or sharp, single edge razor blade.

It is best to test fit **ALL PARTS** before applying glue. The locators sometimes are slightly damaged in removing them from the runner and must be trimmed before the locator holes will accept them. It may be helpful to open locator holes with a #75 drill bit. Generally very small amounts of glue are needed to affix styrene parts, so we recommend that glue be used sparingly.

The connecting point between the part and the "runner" to which it is attached is called a "gate". The gates are designed to be trimmed completely flush with the part except in those cases where the part itself is used as the gate.

## ASSEMBLY INSTRUCTIONS

### Step 1: Preparation and Installation of Roof

Prepare Roof (d) by installing hatch covers. If Trough Hatches (o,p,q) are used, refer to No. 9 & No. 10 of the parts list. Any combination of types may be installed according to the desires of the modeler. Right and left hand hatch pairs can easily be determined by test fitting. If Round Hatches (r) are used, refer to No. 11 of the parts list. When hatches have been glued in place, fit roof to car body and glue in place. (Locator pins on underside of roof allow roof to be positioned in only one direction.)

### Step 2: Preparation and Installation of Floor

Attach Discharge Gates (i) to Floor (e) using locators and locator holes provided. Refer to diagram for proper placement of discharge gates. Put Air Lines (c) or (n) in place on floor using locators and locator holes provided. Both plastic and etched metal air lines are provided in your kit. Test fit both and use whichever you prefer. If metal air lines are used, you may need special clippers to remove air lines from Roofwalk (b). Also, be sure that you use an appropriate adhesive for etched metal parts. **IF YOU ARE GOING TO WEIGHT YOUR MODEL, BE SURE TO DO SO BEFORE GLUING FLOOR IN PLACE.** (NMRA standard total weight for a 60' car is 1.10 ounces. This requires that .60 ounces of weight be added.) When ready, fit floor to Body (a) and glue in place.

### Step 3: Installation of Brake Details

The Brake Detail Sprue (t) is easily located on the platform at the brake end of the car. Five locators with corresponding locator holes are provided.

### Step 4: Installation of Ends

Install Brake Wheel Housing (m) on End Framework with four locator holes. Attach Brake Wheel (l) using locator hole in housing. (Note: End Framework with brake wheel is to be installed on same end of car with brake details on platform.) Ends (f) (g) are installed by sliding stirrups into grooves on end of platforms. Be sure to slide down so that small groove on underside of End Framework fits over end of platform. Check alignment of end framework before gluing in place.

### Step 5: Roofwalk

Using an appropriate adhesive, glue Roofwalk (b) in place.

### Step 6: Trucks and Couplers

Most Couplers (not included) will be truck mounted. Additional coupler boxes and covers are included for body mounting. If couplers are to be bodymounted, coupler boxes must be removed from trucks and discarded. Place couplers in coupler boxes and retain by press fitting Coupler Box Covers (x). Add Wheel Sets (v) to Truck assemblies (u). Attach truck assemblies to car using truck mounting pins (y).

### Step 7: Grab Irons

Refer to drawing for location of Grab Irons (h). Install ten (10) grab irons.

Your model is now complete and ready to put into service on your rail empire. **IF YOU FIND THAT A PART IS MISSING OR DEFECTIVE, OR IF YOU SHOULD LOSE OR BREAK A PART, PLEASE CONTACT US FOR A REPLACEMENT.**